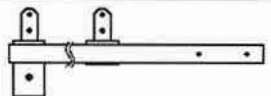
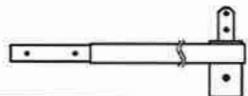
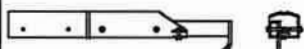
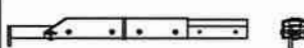








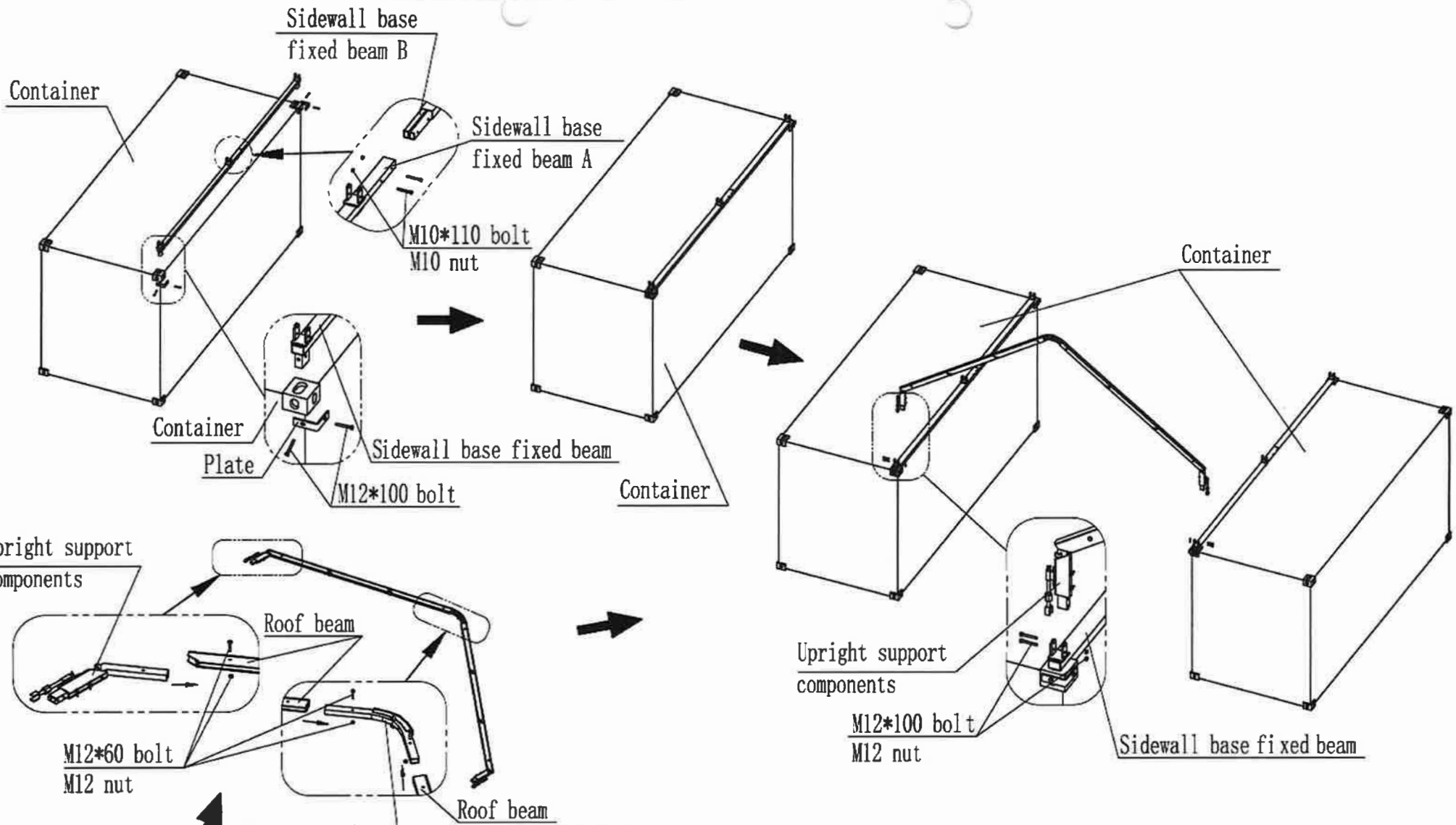


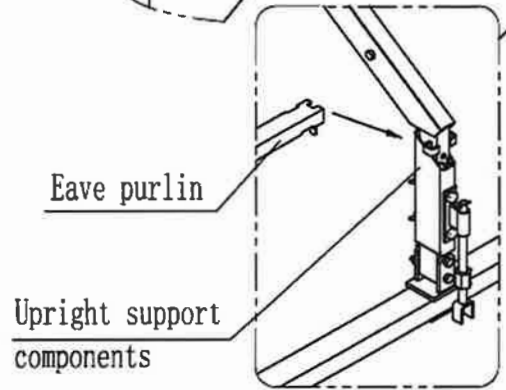
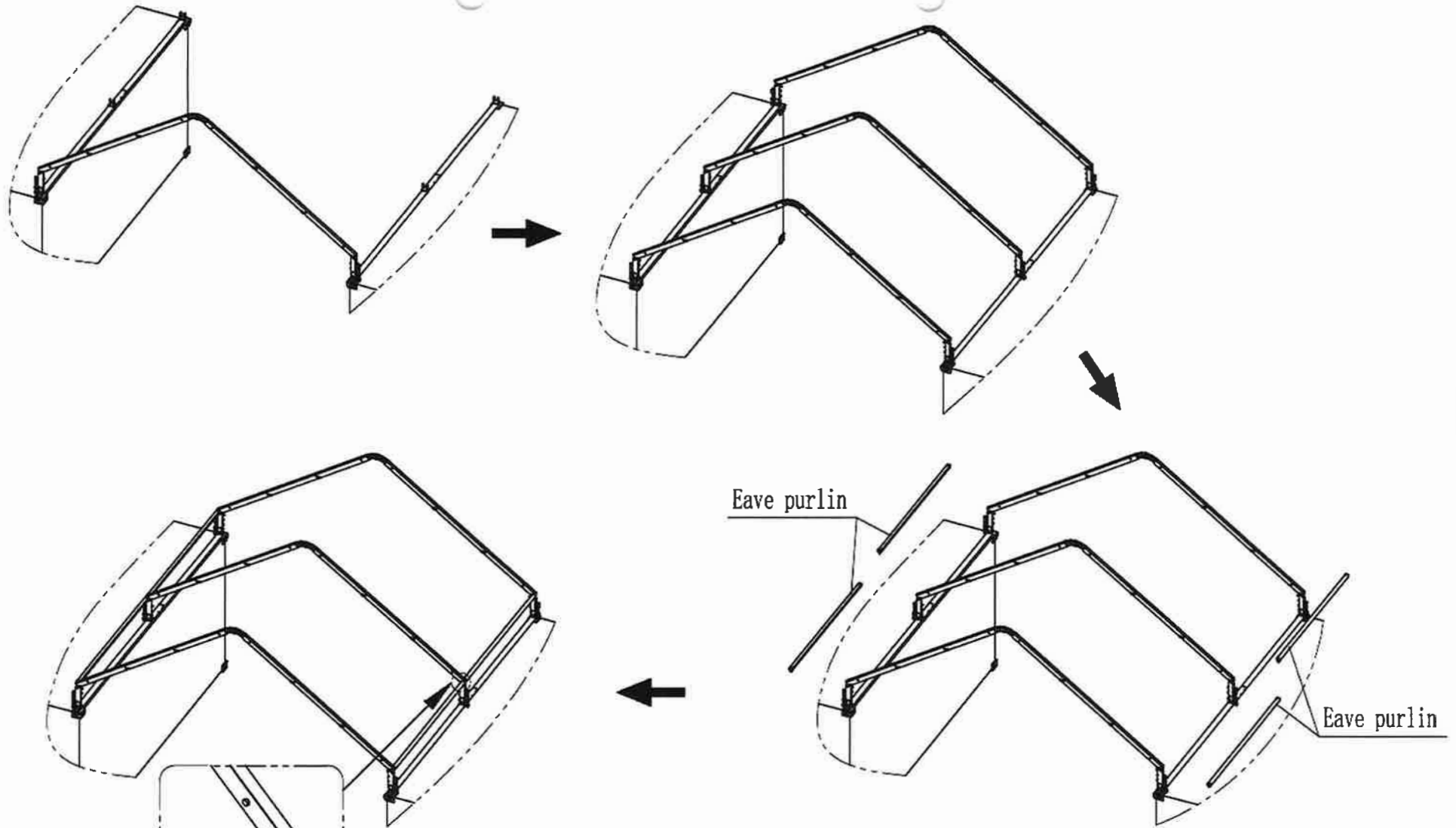
Item	Name of part	Size(mm)	QTY
1	Sidewall base fixed beam A 	277×95×3490	2pcs
2	Sidewall base fixed beam B 	277×95×2740	2pcs
3	Gable beam A 	100×85×3500	2pcs
4	Gable beam B 	100×85×2850	2pcs
5	Eave purlin 	60×45×2880	4pcs
6	Ridge purlin/ Intermediate purlin 	40×40×2880	10pcs

Item	Name of part	Size(mm)	QTY
7	Upright support components 	45.2×8.8×72.4	6pcs
8	Roof beam 	100×48×3500	6pcs
9	Cross bar 	1.25"×2992	4pcs
10	Top connection 	952×88×331	3pcs
11	Roof bracing wire 	φ6×4275	4pcs
12	Plate 	160×160×50	4pcs

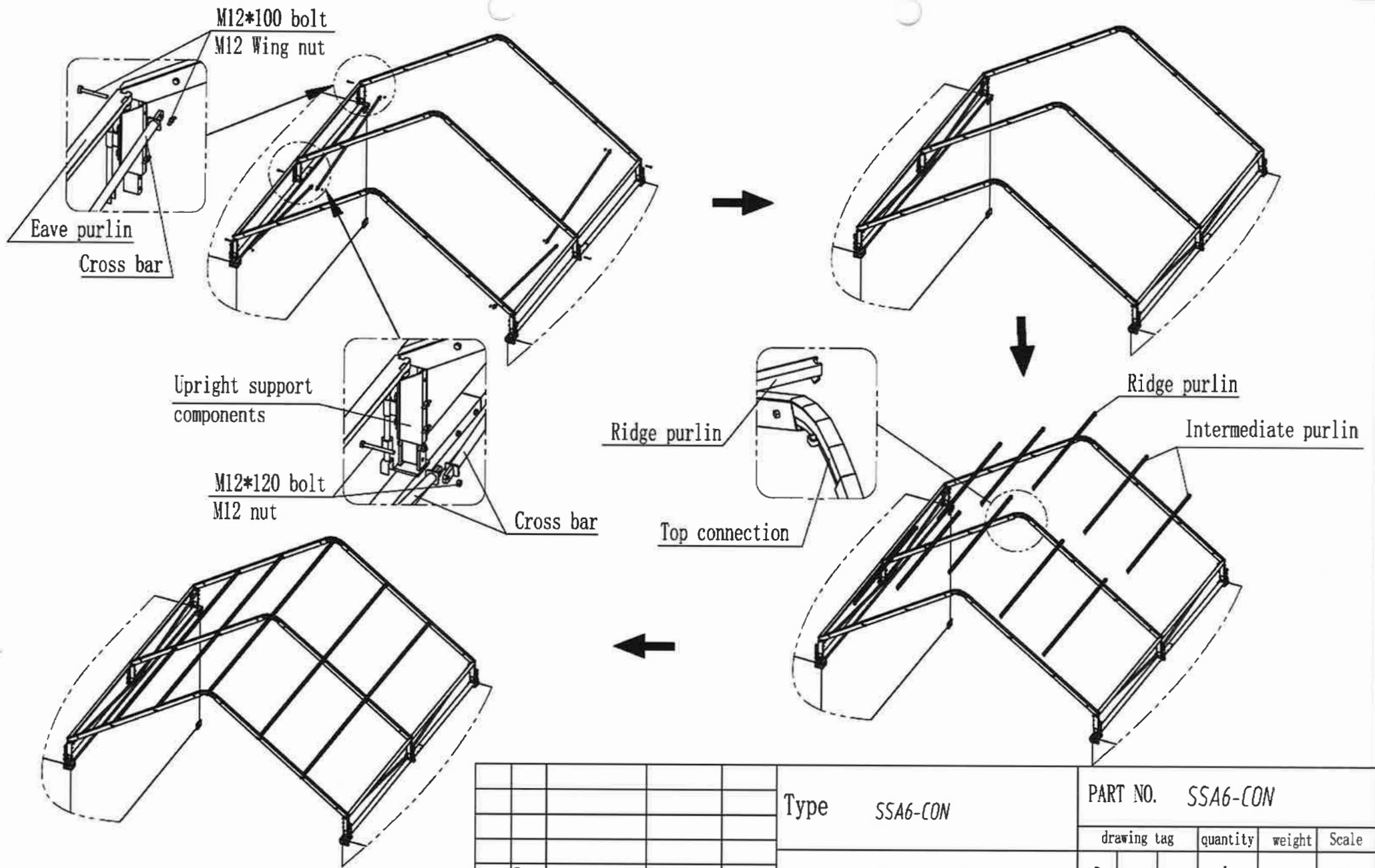
						Type	SSA6-CON	PART NO. SSA6-CON			
								drawing tag	quantity	weight	Scale
								B		1	:
								totals( 8 )pages		pages( 1 )	
Tag	Item	Change the file no.	Signature	Date		DESCRIPTION <i>Installation guide</i>					
	Design		standardized			MATERIAL					
	draw		Approve								
	chek										
	Technics		Date								



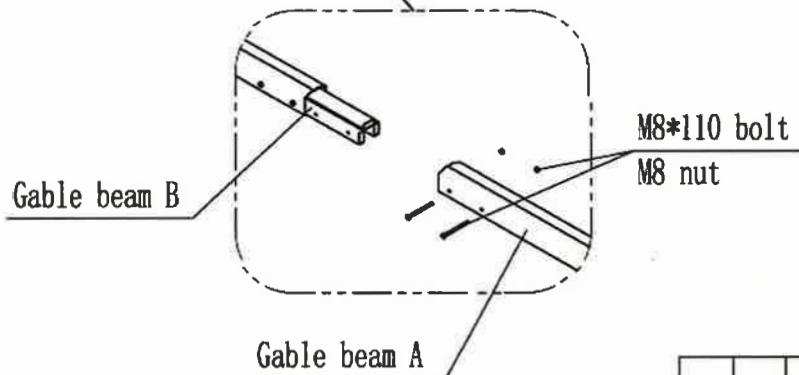
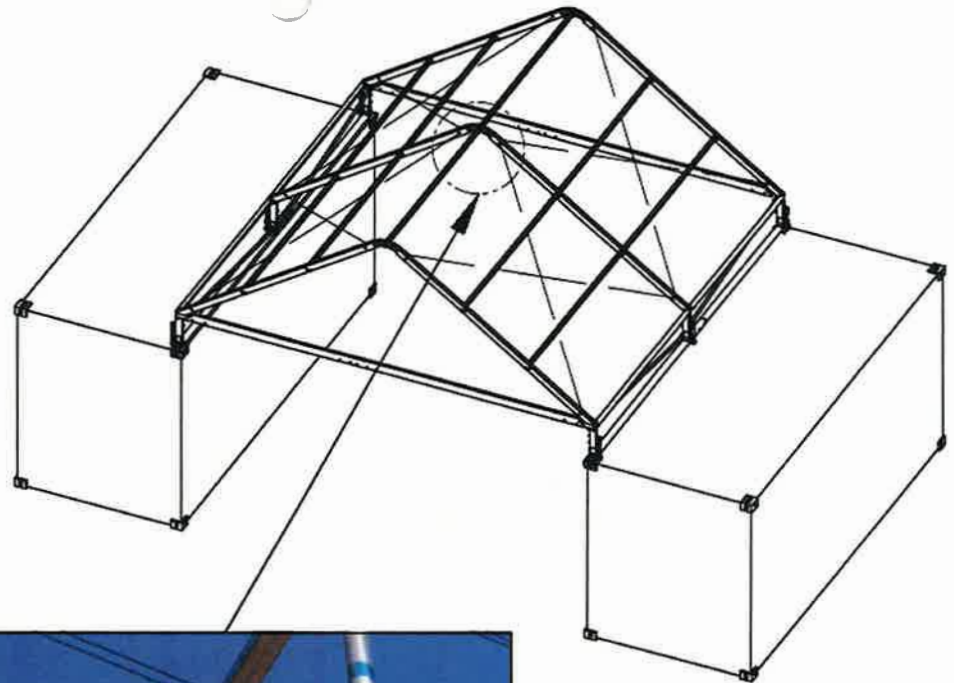
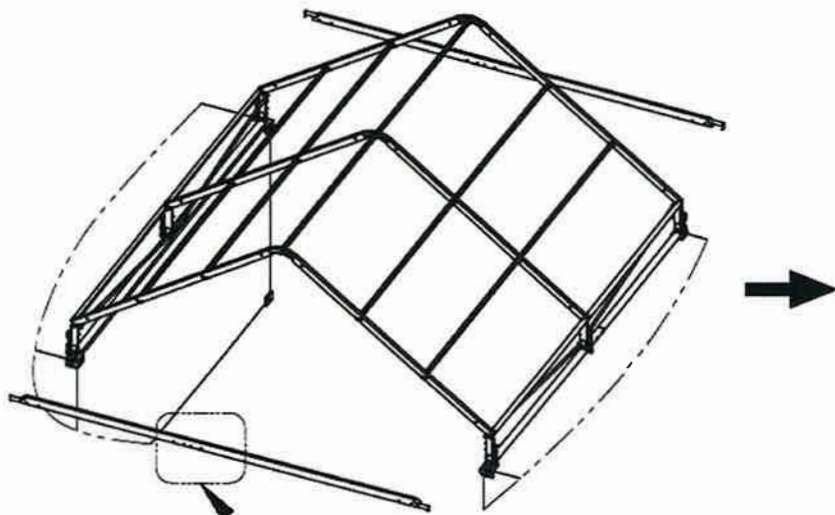
					Type	SSA6-CON			
					PART NO. SSA6-CON				
					drawing tag	quantity	weight	Scale	
					B		1		
					totals ( 8 ) pages			pages ( 2 )	
Tag	Item	Change the file no.	Signature	Date	DESCRIPTION <i>Installation guide</i>				
Design		standardized							
draw		Approve							
chek									
					MATERIAL				
Technics		Date							



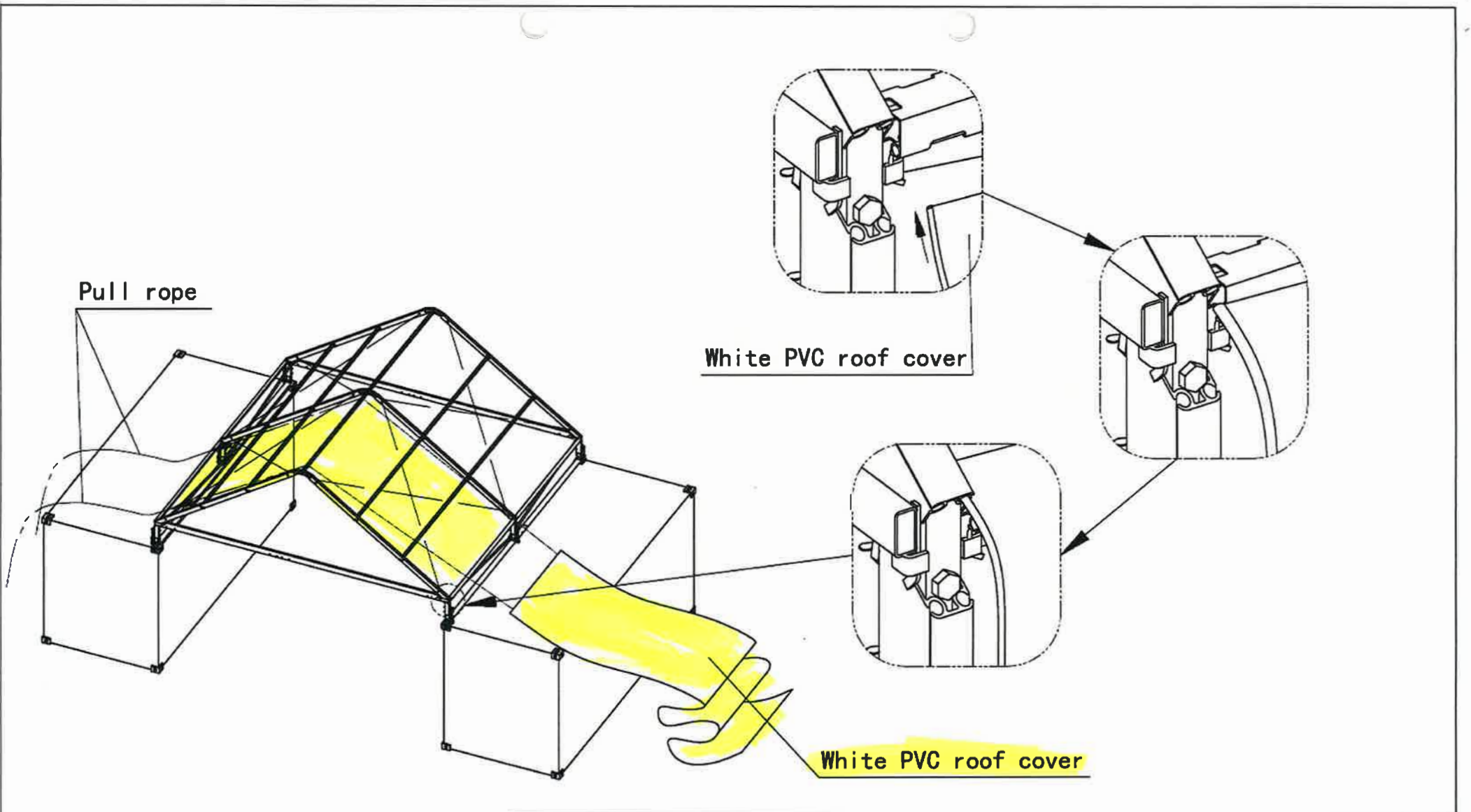
					Type	SSA6-CON	PART NO. SSA6-CON			
							drawing tag	quantity	weight	Scale
							B	1		:
							totals( 8 )pages		pages( 3 )	
							DESCRIPTION <i>Installation guide</i>			
							MATERIAL			
Tag	Item	Change the file no.	Signature	Date						
	Design		standardized							
	draw		Approve							
	chek									
	Technics		Date							



					Type	SSA6-CON	PART NO. SSA6-CON			
							drawing tag	quantity	weight	Scale
Tag	Item	Change the file no.	Signature	Date	DESCRIPTION <i>Installation guide</i>			B	1	:
Design		standardized						totals ( 8 ) pages		pages ( 4 )
draw		Approve			MATERIAL					
chek										
Technics		Date								

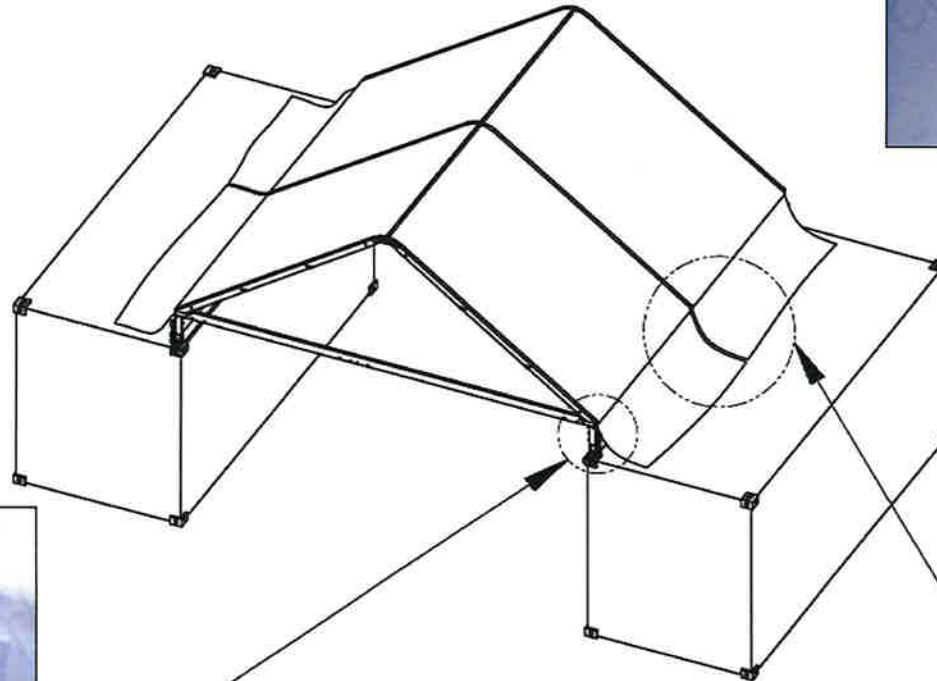


					Type	SSA6-CON	PART NO. SSA6-CON			
							drawing tag	quantity	weight	Scale
							B	1		:
							totals ( 8 ) pages		pages ( 5 )	
Tag	Item	Change the file no.	Signature	Date	DESCRIPTION <i>Installation guide</i>					
	Design		standardized		MATERIAL					
	draw		Approve							
	chek									
	Technics		Date							



					Type	SSA6-CON	PART NO. SSA6-CON			
							drawing tag	quantity	weight	Scale
							B	1		:
							totals ( 8 )pages		pages ( 6 )	
Tag	Item	Change the file no	Signature	Date	DESCRIPTION <i>Installation guide</i>					
	Design		standardized		MATERIAL					
	draw		Approve							
	chek									
	Technics		Date							

The edge of sidewalls  
compression bar



					Type	SSA6-CON	PART NO. SSA6-CON			
							drawing tag	quantity	weight	Scale
							B	1		:
							totals ( 8 ) pages		pages ( 7 )	
Tag	Item	Change the file no.	Signature	Date	DESCRIPTION <i>Installation guide</i>					
	Design		standardized		MATERIAL					
	draw		Approve							
	chek									
	Technics		Date							

